



# SPRAYHOOD



x1



2hr00min

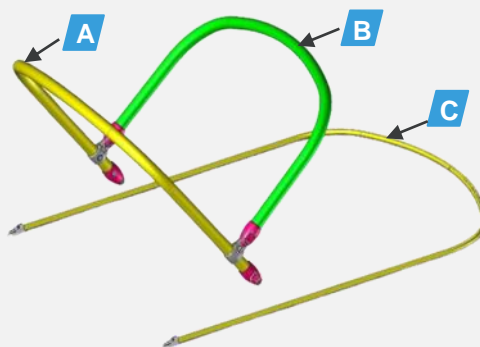
## ESSENTIAL TOOLS

- Flat screwdriver + torx screwdriver
- Drill with Ø 2mm, Ø 3mm and Ø 4mm drill bits
- Tube of silicone
- Measuring tape and pencil

## FIRST

## WHAT'S IN THE BOX

- A. Rear arch (x1)
- B. Front arch (x1)
- C. Aluminium rails (x2)
- D. Selvedge attached to the canvas (x1)
- E. Canvas (x1) and protective reinforcements (x2)
- F. Bag with attachment kit



**D** Selvedge separate from the canvas

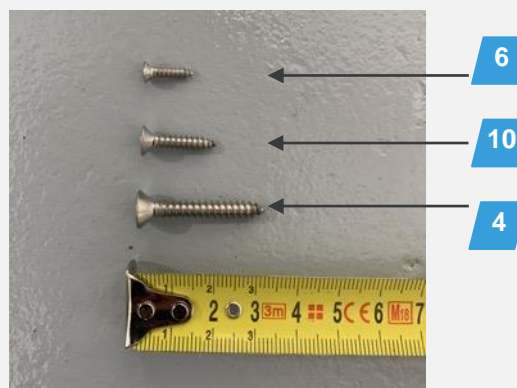
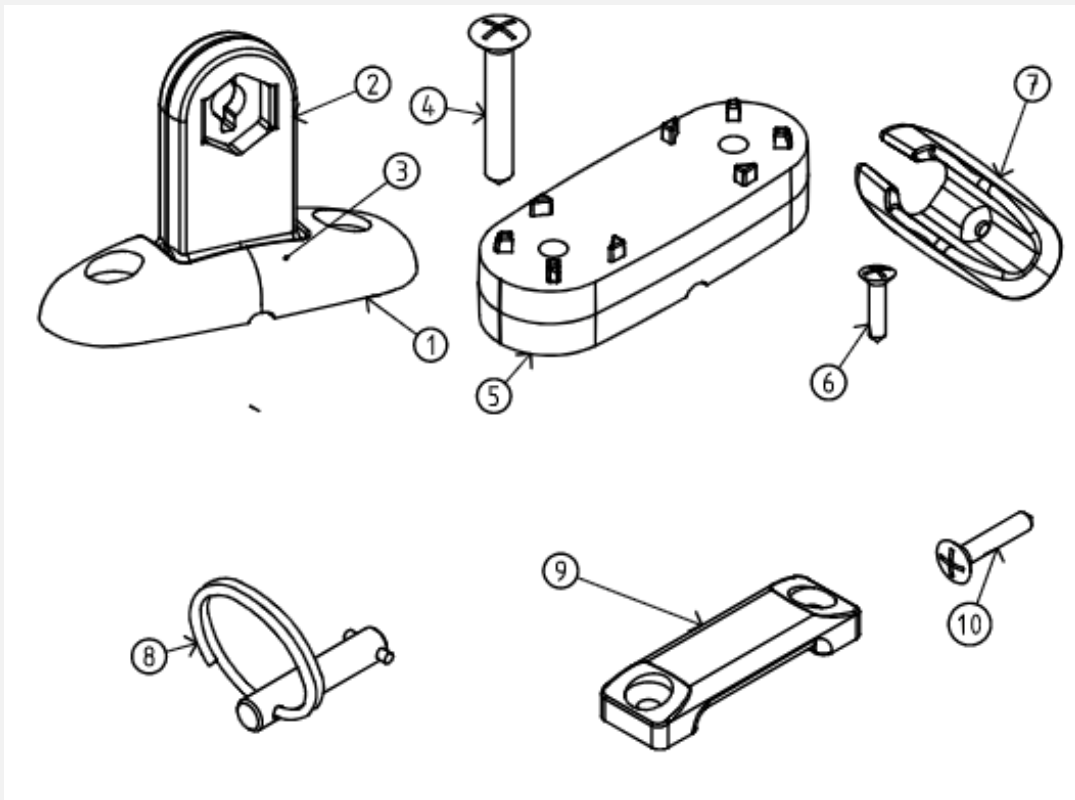


**E** Canvas folded on the reverse



**F**

1. 2. 3. Plate (x2)
4. Large screw for plate (x4)
5. Plate shim (x2)
6. Small screws for rails (x20) and end caps (x2)
7. Aluminium rail end cap (x2)
8. Captive stainless steel axle (x2 on the arches and x2 extra in the kit)
9. Flat pad-eye (x2)
10. Medium screw for pad-eye (x4)



## STEP 1

## INSTALLING THE ALUMINUM RAILS

# 1

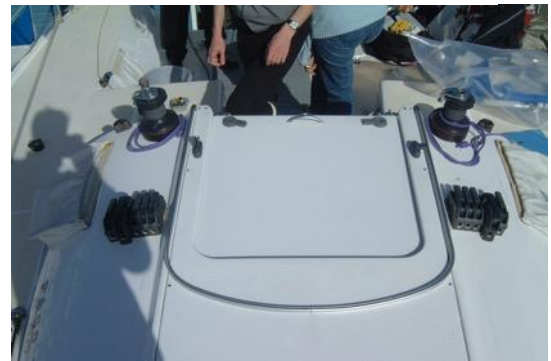
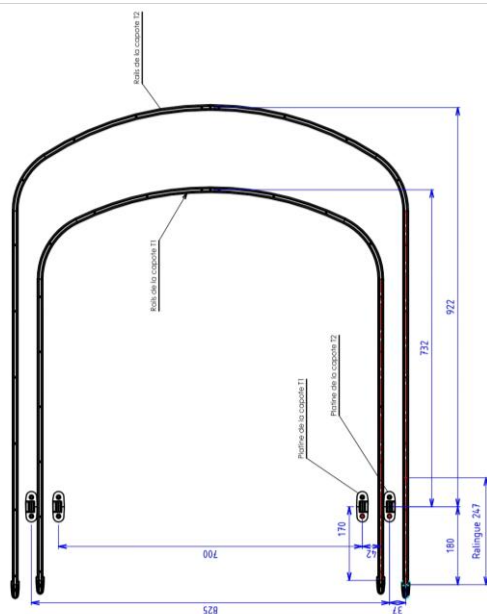
Position the rails on the companionway using the template at the end of the instructions.

Mark the ten drill marks for each rail with a pencil.

Drill according to the marks ( $\varnothing$  2mm drill).

Put silicone under the rails and in the holes to ensure a watertight seal.

Screw each rail according to the holes using the no.7 s



# 2



Place the white rail ends on either end of the rail (see photo).

Mark the holes to be drilled with a pencil.

Drill using the  $\varnothing$  2mm drill bit.

Put silicone under the ends and in the holes to ensure a watertight seal.

Screw each rail end according to the holes using the no.7 screws.

## STEP 2

## INSTALLING THE PLATES

### 3

Using the template, mark the positions of the plates with a pencil.

Drill using the Ø 4mm drill bit.

Put silicone under the shim and in the holes to ensure a watertight seal.



### 4

Place the shim (no. 11) under the plate (no. 1/2/3). Screw each plate using two no.4 screws, with the folding part facing outwards.





## STEP 3

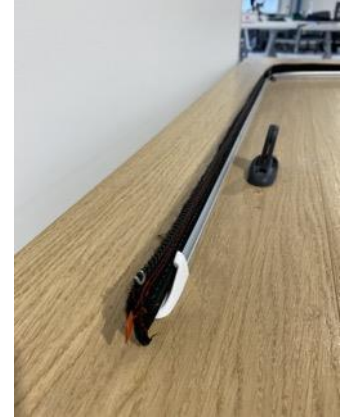
## INSTALLING THE SELVEDGE

### 5

Remove the three zippers and detach the selvedge (D) from the canvas (E).

Check the direction of installation with the red (PORT) and green (STARBOARD) labels.

Pull the selvedge into the rails, and center it correctly tape according to the measurements on the template.



## STEP 4

## INSTALLING THE CANVAS

### 6

Partially remove the front arch pins (B) by pulling on and turning the ring.

Thread the arch (B) into the canvas front sheath. Please note that the zipper underneath is not for the sheath but for the front opening.

Reassemble the front arch onto the rear arch by inserting and locking the pins.



### 7

Using the zipper, pass the rear sheath of the canvas over the rear arch (A).



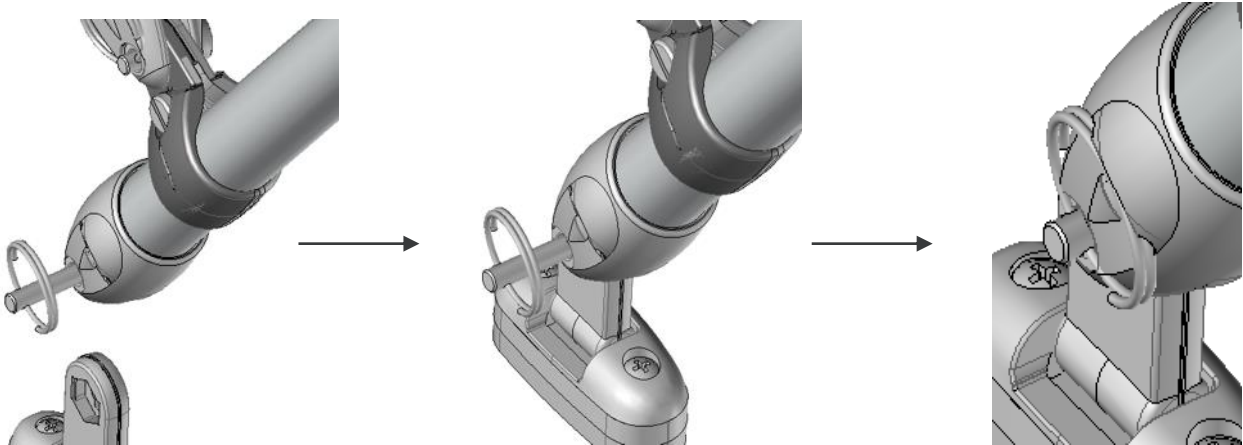
8

Partially remove the pins from the rear arch ends (A).

Position the arch on the plates.

Insert and lock the pins on the arch ends.

*Note: The attachment kit contains an additional set of pins and rings if required.*



9

Make sure that the velcro fasteners are not attached.

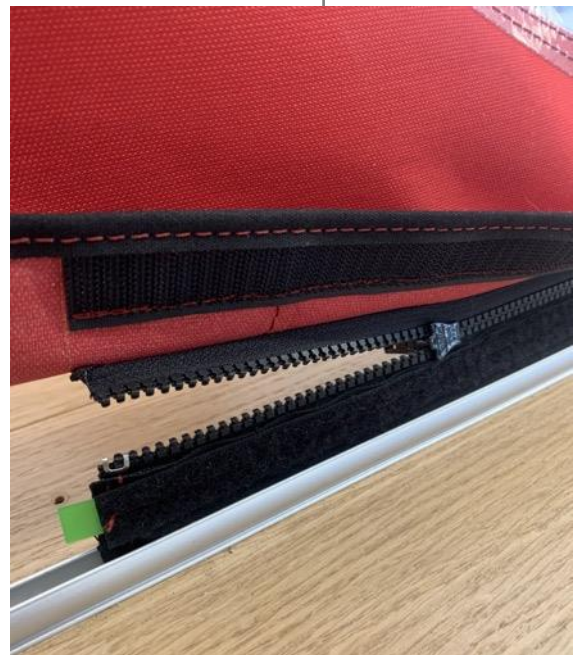
Inside the hood, close the zipper in the middle of the canvas (E) with the one on the selvedge (D) placed on the rails.

Insert the sliders of the 2 port and starboard zips without closing them completely.

Center the canvas evenly and stretch the canopy by pressing back on the arches.

Finish zipping up the closures and fold down the flap to attach the two sides of the velcro fasteners.

Attach the two sides of the velcro fasteners together to ensure that the hood is watertight.



## STEP

6

## INSTALLING THE PAD-EYES

1  
0

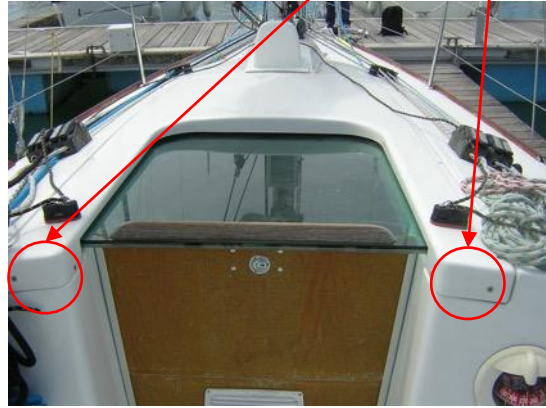
Unclip the canvas buckles at the straps (photo step 7).

Slide the flat pad-eye no.9 into the strap of the detached buckle. Repeat for the second pad-eye.

Loosen the strap and stretch the sprayhood side until the flat pad-eyes are ideally positioned on the companionway.

Mark the holes to be drilled with a pencil.

Drill ( $\varnothing$  3mm) and screw (screw no.10).



## STEP

7

## HOOD TENSION

1  
1

Attach the two parts of the buckle and tighten the straps so that the hood is sufficiently taut.

Push down on the rear arch to facilitate tightening the straps.

Note: Two protective reinforcements are provided with the canvas. Place one reinforcement on the velcro tape located on the rear arch sheath. This reinforcement limits wear from the boom passage and can be replaced if necessary;



# STEP 8

## MODULAR ELEMENTS: SIDES AND FRONT OPENING

# 1 2

To raise the port and starboard sides, attach the velcro strips inside the sides to the strips outside the canvas.



# 1 3

To roll up the front opening, open the three zippers on the port, starboard and top sides of the window. Roll the window down and fold the strap. Thread it through both rings, then pull the strap back so that it is threaded through the first ring. Finally, tighten.

This front opening can also be **removed** by the opening under the window.



1



2

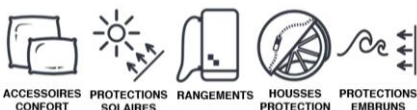


3



4

YOUR SPRAYHOOD IS READY.  
GOOD SAILING!



Find the whole ACCESS range on  
[www.nvequipment.com](http://www.nvequipment.com)

Assembly Instructions - February 2022  
SPRAYHOOD by ACCESS





